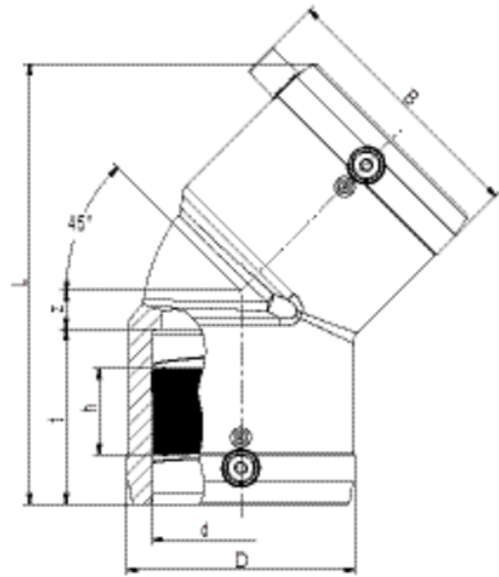


**W45**

Elbows 45°



PE 100 SDR 11



Maximum working pressure 16 bar (water)/10 bar (gas)

	SKU	d	BX	PU	D	L	t	z	h	B	Weight kg
1	616687	25	150	2400	35	89	38	7	17	48	0,050
	612092	32	50	1600	43	102	44	8	21	60	0,070
	612094	40	30	960	54	120	49	11	29	70	0,110
	612096	50	20	640	66	136	54	13	32	80	0,175
	612098	63	10	320	82	158	62	14	34	95	0,295
	612100	75	14	252	96	198	70	29	38	111	0,520
	612102	90	8	144	115	232	79	35	45	128	0,810
	612104	110	10	80	138	265	85	41	50	150	1,320
	612106	125	10	80	157	279	87	46	44	167	1,770
	615275	160	4	32	207	377	92	88	44	210	4,410
	615687	180	3	24	228	382	97	83	65	229	4,610
	616264	200	1	18	254	415	106	87	54	256	6,760
	615688	225	1	8	280	450	112	98	66	281	8,290

<sup>1</sup> Design deviates from product description

 FRIALEN safety fittings can be fused to pipes SDR11 - SDR 17.6. Minimum wall thickness  $s_{min} \geq 3$  mm. Other SDR-stages on request. Please observe the marking directly at the product, which is mandatory. DVGW-Registration Nos. DV-8601AU2248 and DV-8606AU2249

**W45****FRIALEN Safety Fittings**

Elbows 45°

**Areas of Application**

The FRIALEN-Elbow W45° is used for all changes of direction in HD-PE pipes.

**Assembly Instructions**

The fusion of the pipe ends with the FRIALEN-Elbows W45° takes place by FRIALEN-fusing – leakproof and longitudinally strong.

The pipe ends are prepared according to the general installation instructions (see Assembly Instructions for FRIALEN-Safety Fittings for house connections and distribution pipes up to d 225). This involves removing the oxide skin and cleaning the pipe ends.

**W45**

Elbows 45°

**Good reasons for using the FRIALEN-Elbows W45°:**

Large coupler depth for ease of pipe guiding (no holding clamps required)

Extra wide fusion zones

Maximum stability through great wall thickness

Cold zones at the front side and in the middle of the coupler

Exposed heating coil for direct heat transmission to the pipe

Small annular gap for build-up of optimum joining pressure in the fusion zone

Contacts safe to touch

Fusion indicator for visual fusion control

Durable batch marking

Individually wrapped for dirt protection

Additional barcode for tracing back the fitting (Traceability-Coding)

**FRIALEN Safety Fittings**