

HL605

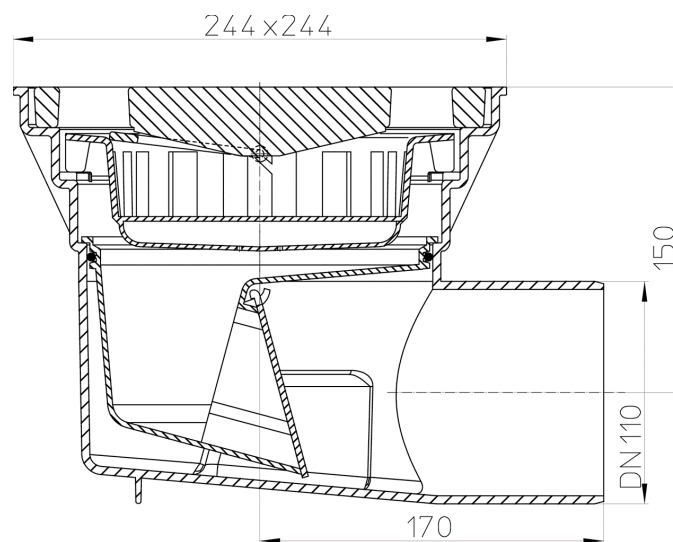
perfect-drain DN110 horizontal 244x244mm plastic / 226x226mm cast iron with frost-proof flap seal



perfect-drain DN110 horizontal with plastic grate frame 244 x 244 mm, cast iron grate 226 x 226 mm, strainer and frost- and drought-proof flap seal



techn. drawing



TECHNICAL DATA

| | | | |
|-----------|---------|---------------------|------------------------|
| material | PP/GG | installation height | 205 mm |
| dimension | DN110 | grate frame | 244 x 244 mm |
| capacity | 4,2 l/s | grate | Gusseisen 226 x 226 mm |

HL605.1

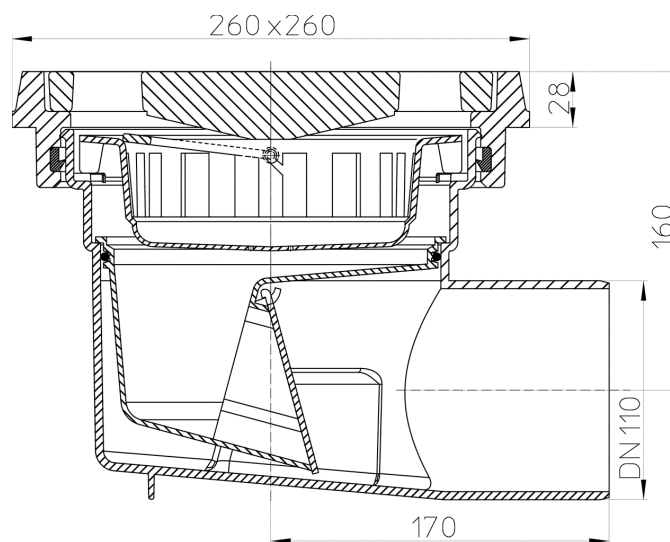
perfect-drain DN110 horizontal 260x260mm/226x226mm cast iron with frost-proof flap seal



perfect-drain DN110 horizontal with cast iron grate frame 260 x 260 mm, cast iron grate 226 x 226 mm, strainer and frost- and drought-proof flap seal



techn. drawing



TECHNICAL DATA

| | | | |
|------------------|---------|----------------------------|---------------------|
| material | PP / GG | installation height | 215 mm |
| dimension | DN110 | grate frame | 260 x 260 mm Guss |
| capacity | 4,2 l/s | grate | Gusseisen 226x226mm |
| weight | 11,813 | load class | B - 12,5t (aussen) |