

HL9/1

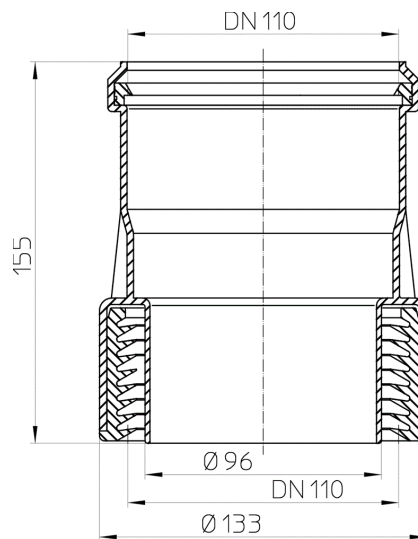
socket connector DN110 plastic/cast iron



socket connector DN110 for push-fit connections
between cast iron and plastic pipes



techn. drawing



TECHNICAL DATA

material	PP	installation height
dimension	DN110	grate frame
capacity		grate
weight	0,38	load class
EAN	9003076909100	inlet
		standards

MAIN DATA

HL9/50

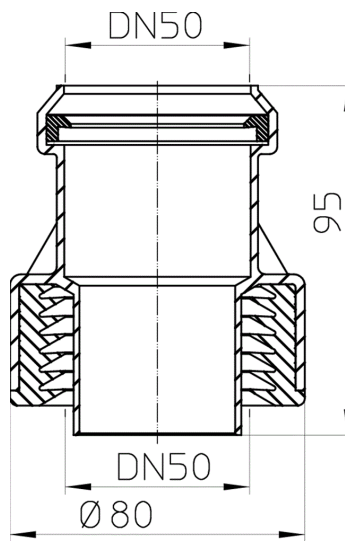
socket connector DN50 plastic/cast iron



socket connector DN50 for push-fit connections
between cast iron and plastic pipes



techn. drawing



TECHNICAL DATA

material	PP	installation height
dimension	DN50	grate frame
capacity		grate
weight	0,129	load class
EAN	9003076900954	inlet
		standards

MAIN DATA