

HL510NPr

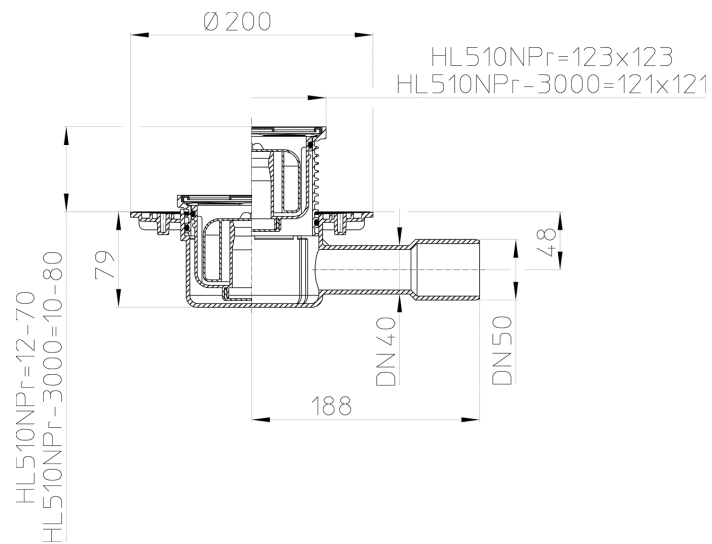
floor drain DN40/50 horizontal with trap seal PRIMUS, 123x123mm/115x115mm



floor drain DN40/50 horizontal with flange, trap seal PRIMUS, cut-to-size grate frame 12 - 70 mm / 123 x 123 mm and stainless steel grate 115 x 115 mm. Comes with lot cover.



techn. drawing



TECHNICAL DATA

material	PE	installation height	93 mm
dimension	DN40/50	grate frame	12-70 mm/123 x 123 mm
capacity	0,50 l/s	grate	Edelstahl 115 x 115 mm
weight	0,747	load class	K - 300 kg

HL5100Pr

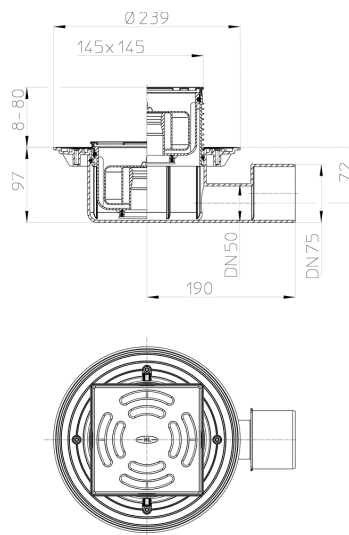
Floor drain DN 50/75 horizontal with siphon PRIMUS 145x145 mm Klick-Klack/
138x138mm



Floor drain DN 50/75 horizontal with flange, siphon PRIMUS, works also without water, 8-80 mm grating (may be cut off) with stainless steel frame 145x145mm, Klick-Klack, stainless steel grate 138x138mm, lot cover for body and top



techn. drawing



TECHNICAL DATA

material	PE	installation height	105 mm
dimension	DN50/75	grate frame	8-80 mm/145 x 145 mm
capacity	0,8 l/s	grate	Edelstahl 138 x 138 mm
weight	1,069	load class	K3 - 300kg