

## HL310NPr

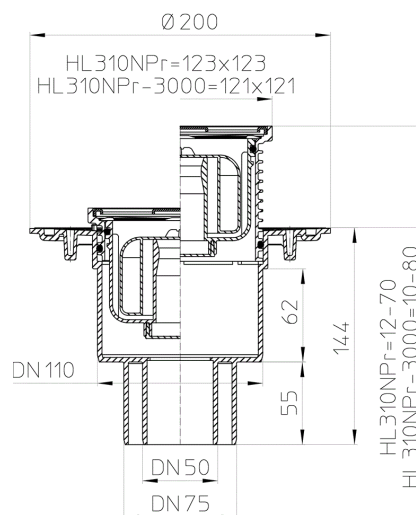
floor drain DN50/75/110 vertical with trap seal PRIMUS, 123x123mm/115x115mm



floor drain DN50/75/110 vertical with flange, trap seal PRIMUS, cut-to-size grate frame 12 - 70 mm / 123 x 123 mm and stainless steel grate 115 x 115 mm. Comes with lot cover.



### techn. drawing



### TECHNICAL DATA

material	PP/PE/Edelstahl	installation height	158mm
dimension	DN50/75/110	grate frame	12-70mm/123x123mm
capacity	0,5 l/s	grate	Edelstahl 115x115mm
weight	0,75	load class	K - 300kg

## HL310NG

floor drain DN50/75/110 vertical 150x150mm/137x137mm cast iron



floor drain DN50/75/110 vertical with flange, trap seal, cut-to-size plastic extension 34 - 75 mm, cast iron grate frame 150 x 150 mm and - grate 137 x 137 mm. Comes with lot cover.



### TECHNICAL DATA

<b>material</b>	PE	<b>installation height</b>	158 mm
<b>dimension</b>	DN50/75/110	<b>grate frame</b>	34-73 mm/150 x 150 mm Guss
<b>capacity</b>	0,67 l/s	<b>grate</b>	Gusseisen 137 x 137 mm
<b>weight</b>	2,408	<b>load class</b>	L - 1,5 t
<b>EAN</b>	9003076004652	<b>inlet</b>	
		<b>standards</b>	

### MAIN DATA

#### spare parts



**HL310NK**  
floor drain body DN50/75/110 vertical



**HL39.1G**  
grating d 110mm/cast iron frame 150x150mm/137x137mm cast iron with trap seal



**HL01067D**  
O-ring 92x4mm



**HL037G.1E**  
cast iron grate 137x137mm

## HL3100Pr

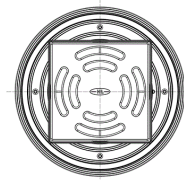
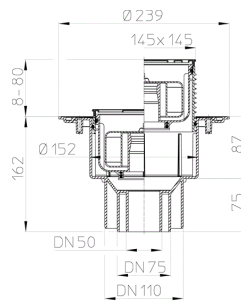
Floor drain DN 50/75/110 vertical with siphon PRIMUS, 145x145 mm Klick- Klack/  
138x138mm



Floor drain DN 50/75/110 with flange, siphon PRIMUS, works also without water, 8-80 mm grating (may be cut off) with stainless steel frame 145x145mm Klick- Klack, stainless steel grate 138x138mm, lot cover for body and top



### techn. drawing



### TECHNICAL DATA

<b>material</b>	PE	<b>installation height</b>	170mm
<b>dimension</b>	DN50/70/110	<b>grate frame</b>	8-80mm/145x145mm
<b>capacity</b>	0,8 l/sek	<b>grate</b>	Edelstahl 138x138mm
<b>weight</b>	1,079	<b>load class</b>	